



Model AV2-N4X Alarm Station

Non Hazardous Duty, NEMA 4X, Weatherproof



Operator's Installation and Instruction Manual

◆ DETCON, Inc.
3200 Research Forest Dr.,
The Woodlands, Texas 77387
Ph.281.367.4100 / Fax 281.298.2868
www.detcon.com

This page left intentionally blank

Table of Contents

1.0	Description	1
2.0	Installation.....	2
3.0	Specifications	3
3.1	Strobe	3
3.2	Horn.....	4
4.0	Troubleshooting.....	5
5.0	Spare Parts List.....	5
6.0	Warranty	6

Table of Figures

Figure 1	Alarm Station Dimensions	2
Figure 2	Wiring Diagram	2

This page left intentionally blank

Shipping Address: 3200 A-1 Research Forest Dr., The Woodlands Texas 77381

Mailing Address: P.O. Box 8067, The Woodlands Texas 77387-8067

Phone: 888.367.4286, 281.367.4100 • Fax: 281.292.2860 • www.detcon.com • sales@detcon.com

1.0 Description



Detcon Model AV2-N4X audiovisual alarm stations are designed for installation and use in light industrial environments. The alarm station consists of two warning lights and siren. The warning lights can consist of any dome color such as amber, blue, clear, green, magenta, or red. The audible alarm is capable of producing coded blasts or sustained tones. Model AV2-N4X alarm assemblies are specifically designed for non-hazardous general-purpose locations or environments where very bright visual and high decibel alarm signals are required. The high-intensity strobe lights provide 60-80 flashes per minute. The siren produces a noise level of 99dbA @ 10 feet. The lights are UL listed, CSA Certified, and meet Type 4X watertight, dust-tight requirements. The siren is UL listed and CSA Certified. Alarm components are pre-assembled and packaged in a NEMA 4X rain tight enclosure.

The alarm station can be wired to control circuit alarm devices for the purpose of warning personnel of hazardous conditions. When used in conjunction with Detcon controllers, the alarm station is typically used to provide an alarm1 (strobe) and an alarm2 (strobe & siren) for predetermined hazardous environmental gas levels (toxic or flammable) as indicated by remote mount gas sensors. A lug type terminal strip mounted on the base plate of the enclosure is provided for power input and discreet switched power to both strobes and the siren.

2.0 Installation

Securely mount the alarm station enclosure in accordance with the drawing in figure #1.

Connect wiring in accordance with the drawing in figure #2. To determine the proper voltage of the strobe and siren, refer to the specifications label inside the enclosure.

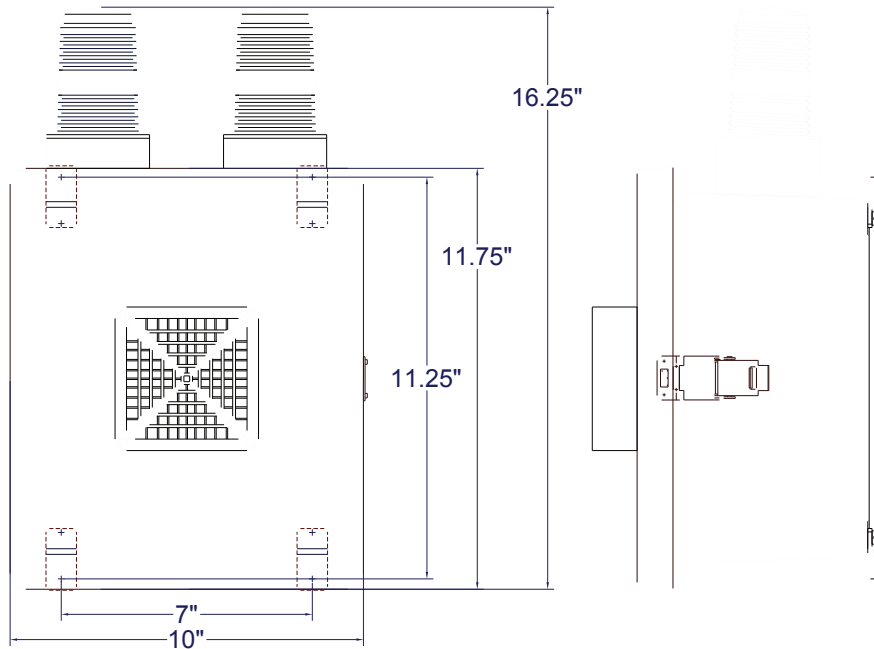


Figure 1 Alarm Station Dimensions

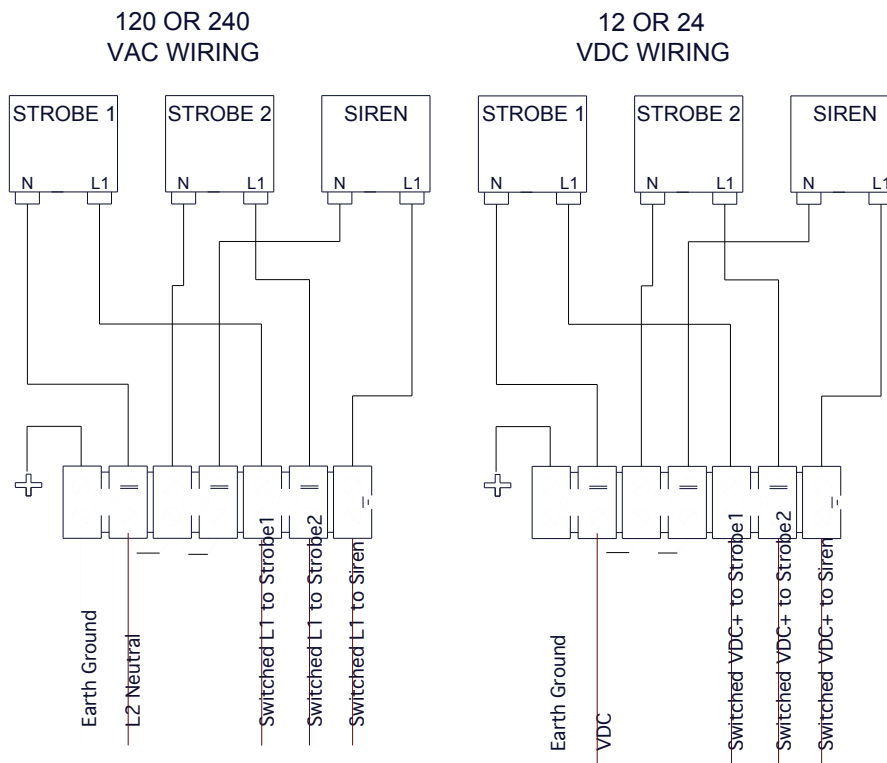
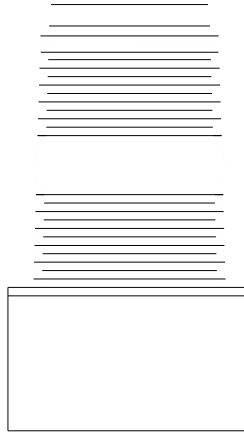


Figure 2 Wiring Diagram

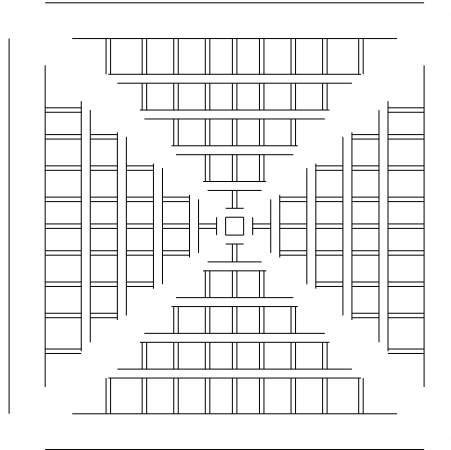
3.0 Specifications

3.1 Strobe

**Specifications:**

Voltage:	12VDC, 24VDC, 120VAC 240VAC	50/60HZ 50/60HZ, 50/60HZ
	(See specifications label for voltage rating)	
Mount:	1/2" Pipe	
Operating Current:	0.44 Amps at 12VDC, 0.22 Amps at 24VDC, 0.10 Amps at 120VAC, 0.07 Amps at 240VAC	
Dome Colors:	Amber, Blue, Clear, Green, Red, Magenta	
Operating Temperature:	-31°F to 150°F	
Light Source/Lamp Style:	Strobe Tube	
Lamp Life:	7,000 Hours	
Candle Power Peak:	175,000	
Flash Rate/Minute:	60-80	
Joules per Flash:	1.75	
Intensity Candela:	40 Amber, 20 Blue, 50 Clear, 20 Green, 10 Red	
Enclosure Rating:	Type 4	
Approvals:	UL Listed, CSA Certified, CE Pending	
Dimensions:	5"H x 3"Diameter	
Warranty:	1 Year	

3.2 Horn



Specifications:

Voltage:	12VDC, 24VDC, 120VAC 240VAC	50/60HZ, 50/60HZ, 50/60HZ, (See specifications label for voltage rating)
Mount:	Surface / Panel	
Operating Current:	0.50 Amps at 12VDC, 0.25 Amps at 24VDC, 0.18 Amps at 120VAC, 0.09 Amps at 240VAC	
Temperature Rating:	-65°F to +150°F	
Sound Output:	99db @ 10 feet, 109dB @ 1 meter	
Enclosure Rating:	Type 4	
Approvals:	UL Listed, CSA certified, FM Approved	
Height:	4 in.	
Width:	4 in.	
Depth:	2.5 in	
Warranty:	1 Year	

Overall dimensions: 17"H x 10"W x 7-7/8"D.

4.0 Troubleshooting

Tools Required:

Digital volt-ohm meter

Refer to Figure 2 **Wiring Diagram**.

Verify proper voltage is being applied to the strobes and siren by measuring with the digital voltmeter probes (see specifications label located inside the enclosure to determine correct voltage).

Strobe: measure voltage from the second terminal on the terminal strip to the third terminal.

Siren: measure voltage from the second terminal on the terminal strip to the fourth terminal.

If power is being provided and the corresponding strobe or siren does not activate, return the alarm station for repair or replacement as discussed in section 6.0 (Warranty) of this manual or replace damaged components as referred to in section 5(Spare Parts List)

5.0 Spare Parts List

<u>Part #</u>	<u>Description</u>
3019-1	7 pin Terminal Block
027-002627-000	Strobe Gasket
027-24412-0	Siren Gasket

Strobe Light

354-4950	6-			
Color of strobe	Voltage			
2 – Red	124 – 12 to 80 VDC			
4 – Amber	120 – 120 VAC			
5 – Green	240 – 240 VAC			
6 – Blue				
7 – Magenta				
9 – Clear				

Siren

356-				000-			
Voltage Type	Voltage						
350 – VAC	012 – 12 VDC						
450 – VDC	024 – 24 VDC						
	120 – 120VAC						
	240 – 240VAC						

6.0 Warranty

Detcon, Inc., as manufacturer, warrants under intended normal use, each new alarm station to be free from defects in material and workmanship for a period of one year from the date of shipment to the original purchaser. The warranty period begins from the date of shipment to the original purchaser and ends one year thereafter. All warranties and service policies are FOB Detcon Inc. facility, located in The Woodlands, Texas.

Shipping Address: 3200 A-1 Research Forest Dr., The Woodlands Texas 77381

Mailing Address: P.O. Box 8067, The Woodlands Texas 77387-8067

Phone: 888.367.4286, 281.367.4100 • Fax: 281.292.2860 • www.detcon.com • sales@detcon.com