



ISO 9001: 2000 Certified

888-367-4286
281-367-4100
fax 281-292-2860

www.detcon.com
sales@detcon.com

Model 812-N4X

Gas Detection Control Enclosure

Compatible with Model 12 Control Modules

DESCRIPTION

Detcon Model 812-N4X control enclosure, along with Model 12 digital control modules, is designed to serve as a host control system for remote mount gas detection sensor assemblies. The single channel modular design can be configured for any combination of gases. All control modules are plug-in front panel accessible for easy maintenance and repair. A "blank plate" can be installed on any unused channel until that channel is needed at some future date. The Model 812-N4X includes an integral power supply. A power on/off switch and line power fuse are front panel accessible.



SPECIFICATIONS

Electrical Classification

NEMA 4X raintight

Dimensions

15 3/4"W x 20 3/4"H x 9 3/4"D

Capacity

Up to 8
single channel control modules

Power Input

117 VAC/24 VDC standard

Power Consumption

<5 watts per channel
(includes gas sensor & control module)

Outputs

Discrete analog 4-20 mA DC
Serial RS-485 Modbus™
Discrete or zoned alarm relays

Operating Temperature Range

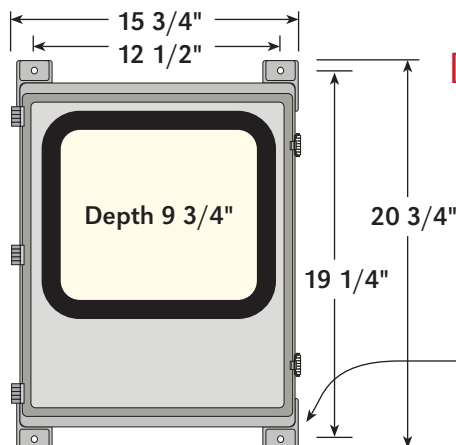
-40°C to +80°C; -40°F to +175°F

Warranty

One year

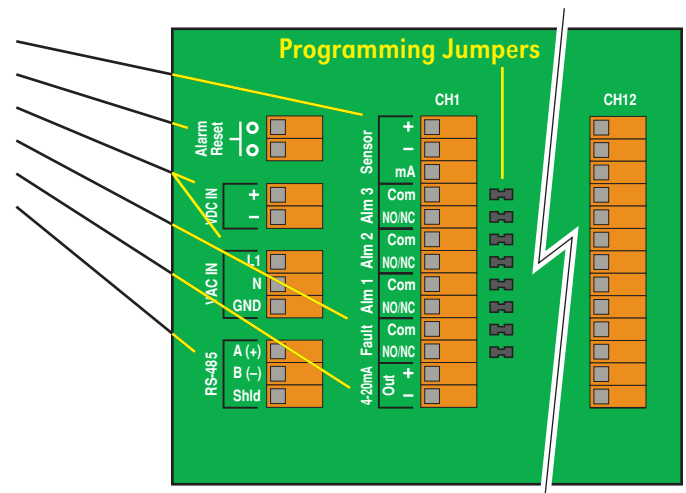
- Status and parameters accessible via RS-485 Modbus™
- Discrete or zoned alarm relays (3 alarms plus fault)
- NEMA 4X Raintight
- Modular plug-in design
- 1 to 8 channel capacity
- Discrete analog 4-20 mA outputs
- Compatible with PLC's, SCADA, and DCS

Sensor connections include power and 4-20 mA input
Alarm reset is accomplished via a remote normally open momentary switch
Power input: 117 VAC and/or 24 VDC standard
Alarm and fault relays discrete or zoned via gold plated jumper tabs
Discrete 4-20 mA output corresponds to range of detection
RS-485 allows access to status and parameters



DIMENSIONS

Mounting Holes
7/16" Dia.



ORDER GUIDE

Model 812FB Control Enclosure #954-081250-000
Blank Plate #912-000008-005