



Model 610-N7

Gas Detection Control Enclosure

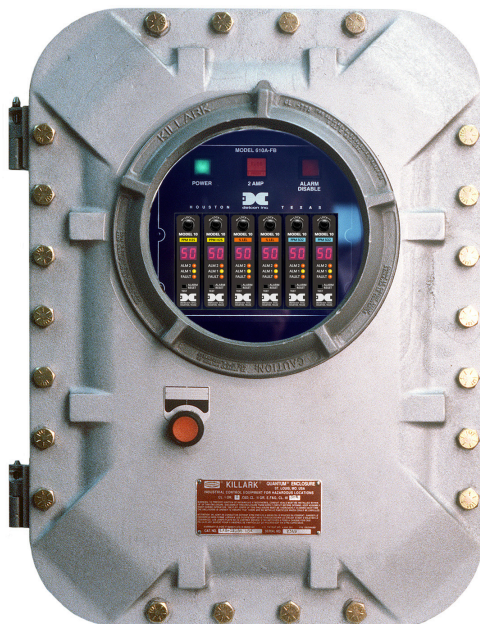
Toll Free: 888-367-4286
 Phone: 281-367-4100
 Fax: 281-292-2860

http://www.detcon.com
 e-mail: sales@detcon.com

Compatible with Model 10 Control Modules

DESCRIPTION

Detcon Model 610-N7 control enclosure, along with Model 10 digital control modules, is designed to serve as a host control system for remote mount gas detection sensor assemblies. The single channel modular design can be configured for any combination of gases. All control modules are plug-in front panel accessible for easy maintenance and repair. A "blank plate" can be installed on any unused channel until that channel is needed at some future date. The Model 610-N7 includes an integral power supply. A panel mount circuit breaker that also acts as a power switch is front panel accessible.



SPECIFICATIONS

Electrical Classification

NEMA 7 explosion proof

Dimensions

15"W x 22 3/8"H x 12"D

Capacity

Up to 6 single channel control modules

Power Input

117 VAC/24 VDC standard

Power Consumption

<5 watts per channel (includes gas sensor & control module)

Outputs

Discrete analog 4-20 mA DC
 Serial RS-485 Modbus™
 Discrete or zoned alarm relays

Operating Temperature Range

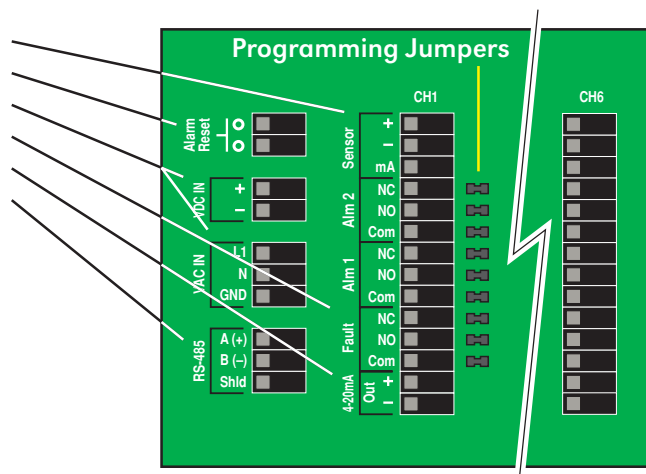
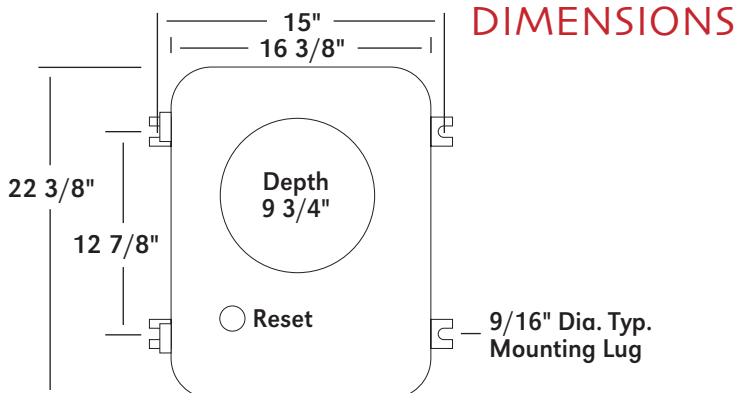
-40°C to +80°C; -40°F to +175°F

Warranty

One year

- Status and parameters accessible via RS-485 Modbus™
- Discrete or zoned alarm relays (2 alarms plus fault)
- NEMA 7 explosion proof
- Modular plug-in design
- 1 to 6 channel capacity
- Discrete analog 4-20 mA outputs
- Compatible with PLC's, SCADA, and DCS

Sensor connections include power and 4-20 mA input
 Alarm reset is accomplished via a remote normally open momentary switch
 Power input: 117 VAC and/or 24 VDC standard
 Alarm and fault relays discrete or zoned via gold plated jumper tabs
 Discrete 4-20 mA output corresponds to range of detection
 RS-485 allows access to status and parameters



ORDER GUIDE

Model 610XP Control Enclosure #957-061050-000
 Blank Plate #910-000008-003