



ISO 9001: 2000
Certified

888-367-4286
281-367-4100
fax 281-292-2860

www.detcon.com
sales@detcon.com

Detcon Model 610-N4X

Gas Detection Control System

Compatible with Model 10 Control Modules



Description

Detcon Model 610-N4X control enclosure, along with Model 10 digital control modules, is designed to serve as a host control system for remote mount gas detection sensor assemblies. The single channel modular design can be configured for any combination of gases. All control modules are plug-in front panel accessible for easy maintenance and repair. A "blank plate" can be installed on any unused channel until that channel is needed at some future date. The Model 610-N4X includes an integral power supply. A panel mount circuit breaker that also acts as a power switch is front panel accessible.

Specifications

Electrical Classification

NEMA 4X raintight

Dimensions

16"W x 18"H x 10 1/2"D

Power Input

117 VAC/24 VDC standard

Capacity

Up to 6 single channel control modules

Power Consumption

<5 watts per channel
(includes gas sensor & control module)

Outputs

Discrete analog 4-20 mA DC
Serial RS-485 Modbus™
Discrete or zoned alarm relays

Operating Temperature Range

-40°C to +80°C; -40°F to +175°F

Warranty

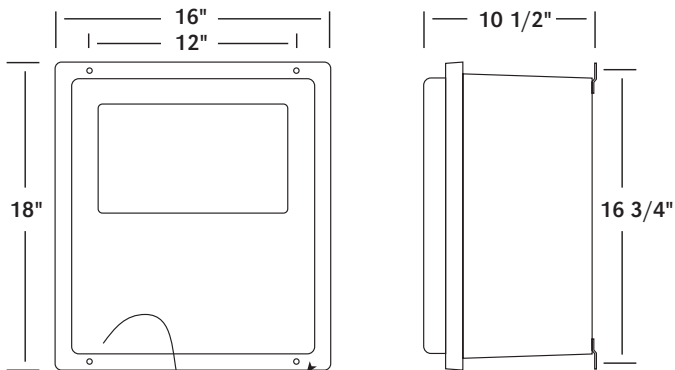
One year

Features

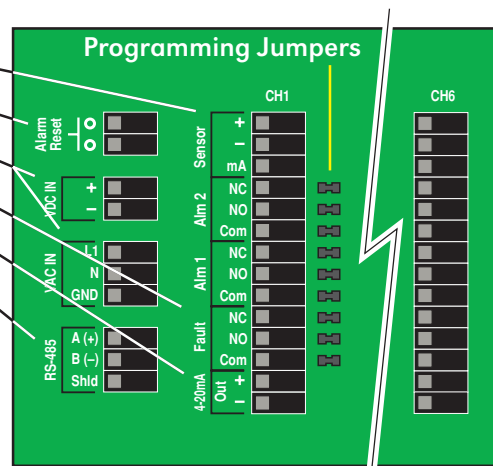
- NEMA 4X Raintight
- Modular plug-in design
- 1 to 6 channel capacity
- Discrete analog 4-20 mA outputs
- Discrete or zoned alarm relays (2 alarms plus fault)
- Status and parameters accessible via RS-485 Modbus™
- Compatible with PLC's, SCADA, and DCS

Sensor connections include power and 4-20 mA input
Alarm reset is accomplished via a remote normally open momentary switch
Power input: 117 VAC and/or 24 VDC standard
Alarm and fault relays discrete or zoned via gold plated jumper tabs
Discrete 4-20 mA output corresponds to range of detection
RS-485 allows access to status and parameters

Dimensions



Mounting Holes 5/16 Dia.



Order Guide

Model 610-N4X Control Enclosure #954-061050-000
Blank Plate #910-000008-003

www.detcon.com