



**ISO 9001: 2000**  
Certified

888-367-4286  
281-367-4100  
fax 281-292-2860

www.detcon.com  
sales@detcon.com

# Model 1212-N4X

Gas Detection  
Control Enclosure

Compatible with Model 12 Control Modules

## DESCRIPTION

Detcon Model 1212-N4X control enclosure, along with Model 12 digital control modules, is designed to serve as a host control system for remote mount gas detection sensor assemblies. The single channel modular design can be configured for any combination of gases. All control modules are plug-in front panel accessible for easy maintenance and repair. A "blank plate" can be installed on any unused channel until that channel is needed at some future date. The Model 1212-N4X includes an integral power supply. A power on/off switch and line power fuse are front panel accessible.



## SPECIFICATIONS

### Electrical Classification

NEMA 4X raintight

### Dimensions

20 5/8"W x 23"H x 10 1/4"D

### Capacity

Up to 12  
single channel control modules

### Power Input

117 VAC/24 VDC standard

### Power Consumption

<5 watts per channel  
(includes gas sensor & control module)

### Outputs

Discrete analog 4-20 mA DC  
Serial RS-485 Modbus™  
Discrete or zoned alarm relays

### Operating Temperature Range

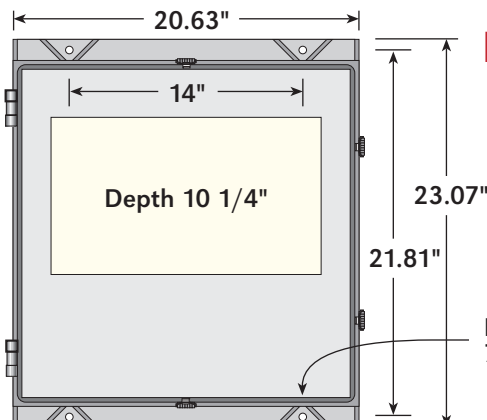
-40°C to +80°C; -40°F to +175°F

### Warranty

One year

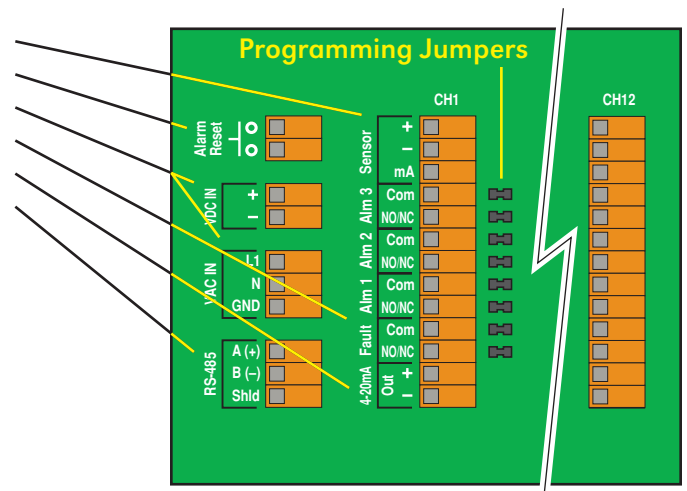
- Status and parameters accessible via RS-485 Modbus™
- Discrete or zoned alarm relays (3 alarms plus fault)
- NEMA 4X Raintight
- Modular plug-in design
- 1 to 12 channel capacity
- Discrete analog 4-20 mA outputs
- Compatible with PLC's, SCADA, and DCS

Sensor connections include power and 4-20 mA input  
Alarm reset is accomplished via a remote normally open momentary switch  
Power input: 117 VAC and/or 24 VDC standard  
Alarm and fault relays discrete or zoned via gold plated jumper tabs  
Discrete 4-20 mA output corresponds to range of detection  
RS-485 allows access to status and parameters



## DIMENSIONS

Mounting Holes  
7/16" Dia.



## ORDER GUIDE

Model 1212FB Control Enclosure #954-121250-000  
Blank Plate #912-000008-005