



MODEL IR-622

COMBUSTIBLE GAS SENSOR

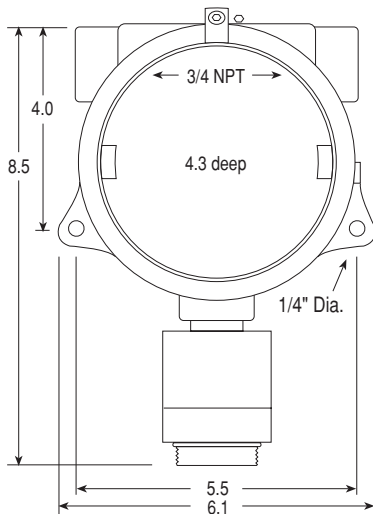
ISO 9001:2008
Certified

888-367-4286
713-559-9200
fax 281-292-2860
www.detcon.com
sales@detcon.com

SPECIFICATIONS

- Sensor Type**
Non-dispersive Infrared Optical (NDIR)
- Measurement Range**
0-100% (lower explosive limit) LEL
- Accuracy/Repeatability**
±3% full scale 0-50% LEL
±5% full scale 50-100% LEL
- Response/Clearing Time**
T90 <30 seconds
- Zero Drift**
<5% per year
- Operating Temperature Range**
-40°F to +167°F; -40°C to +75°C
- Operating Humidity Range**
0-99% RH non-condensing
- Outputs**
Linear 4-20 mA DC
RS-485 Modbus™
3 Relays (alarm 1, alarm 2, & fault)
Contacts rated 5 amps
- Input Voltage**
22.5-28 VDC
- Power Consumption**
<3 watts @ 24 VDC
- Electrical Classification**
Explosion proof
Class I, Division 1, Groups B, C, D
- Safety Approvals**
CSA and UL Approved
- Sensor Life/Warranty**
Sensor: 5 year warranty pro-rated
Transmitter: 2 year warranty

DIMENSIONS



Splashguard 2"H x 2"Dia.

Non-dispersive
Infrared Optical

MicroSafe™ Intelligent Sensor

DESCRIPTION

Detcon Model IR-622 sensors are non-intrusive “Smart” sensors designed to detect and monitor Combustible Hydrocarbons over the range of 0-100% LEL (lower explosive limit). The sensor assembly consists of a miniature infrared optical sensor in a stainless steel housing that includes a splashguard with integral cal port, a plug-in control transmitter circuit, a base connector board and an explosion proof enclosure.

FEATURES

- ▶ CSA and UL Approved: Class I, Division 1, Groups B, C, & D
- ▶ Compatible with PLCs, SCADA, DCS, via 4-20 mA, and/or RS-485, and/or alarm relays
- ▶ Sensor status and parameters accessible via RS-485 (Modbus™)
- ▶ Menu programmable relays standard (two alarms plus fault)
- ▶ Simple menu driven calibration - takes less than 3 minutes
- ▶ Backlit LCD and LED indicators for FAULT and CAL status
- ▶ Unique miniature field-replaceable optical sensor
- ▶ Plug-in field-replaceable transmitter
- ▶ Low power consumption
- ▶ 5-year expected sensor life

ORDER GUIDE

- PN 966-224520-100 Model IR-622 in Aluminum Junction Box
- PN 966-22452B-100 Model IR-622-316SS in Stainless Steel Junction Box

www.detcon.com

