



# MODEL DM-600-C2H3CL

## VINYL CHLORIDE SENSOR ASSEMBLY

ISO 9001:2008  
Certified

888-367-4286  
713-559-9200  
fax 281-292-2860  
www.detcon.com  
sales@detcon.com

## SPECIFICATIONS

### Sensor Type

Electrochemical Fuel Cell

### Measurement Range

0-100 ppm Vinyl Chloride  
Other ranges available

### Repeatability

±2% FS

### Response/Clearing Time

T90 < 140 seconds

### Span Drift

<5% signal loss per year

### Operating Temperature Range

-20°C to +50°C; -4°F to +122°F

### Operating Humidity Range

15-90% RH non-condensing

### Output

Linear 4-20 mA DC  
RS-485 Modbus™  
3 Relays (alarm 1, 2, fault, contacts 5 amp)

### Input Voltage

22.5-28 VDC

### Power Consumption

2.9 watts @ 24 VDC

### Electrical Classification

Explosion proof  
Class 1, Div. 1, Groups B, C, D

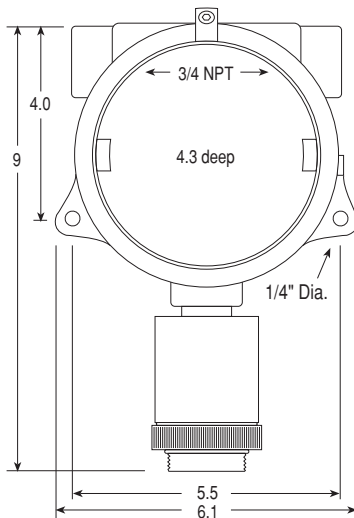
### Sensor Life/Warranty

Sensor: 2 year warranty  
Transmitter: 2 year warranty

### Safety Approvals

CSA and UL Approved

## DIMENSIONS



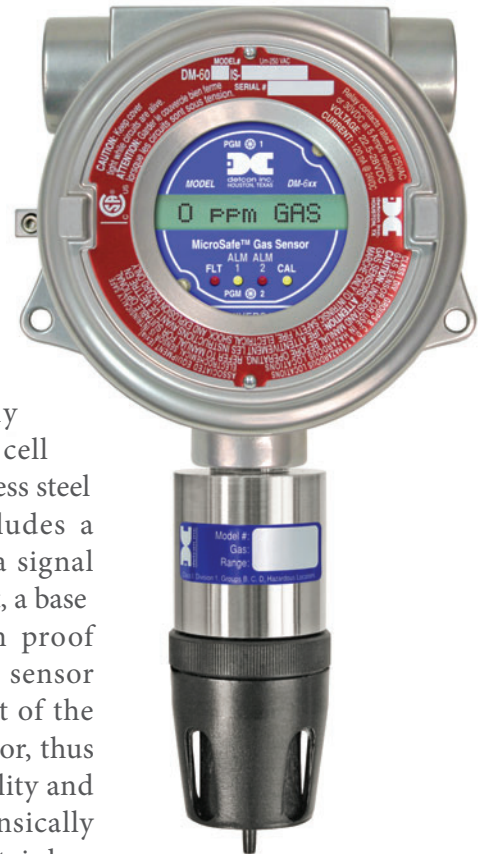
Splashguard 2"H x 2"Dia.

## Electrochemical Fuel Cell

## MicroSafe™ Intelligent Sensor

## DESCRIPTION

Detcon Model DM-600IS-C2H3CL sensor is designed to detect and monitor C2H3CL in air over the range 0-100 ppm. The sensor assembly consists of an electrochemical fuel cell mounted in an Intrinsically Safe stainless steel and ABS plastic housing that includes a splashguard with integral cal port, a signal conditioning control transmitter circuit, a base connector board and an explosion proof junction box. The Intrinsically Safe sensor housing design allows direct contact of the target gas to the electrochemical sensor, thus maximizing response time, detectability and repeatability. And because the Intrinsically Safe housing design does not use a stainless steel flame arrestor, it eliminates inaccurate readings due to target gas absorption.



## FEATURES

- ▶ CSA and UL Approved: Class 1, Div. 1, Groups B, C, & D
- ▶ Outputs: 4-20 mA, RS-485 Modbus™, 3 relays (2 alarm, 1 fault)
- ▶ Sensor status and parameters accessible via RS-485 Modbus™
- ▶ Simple menu driven calibration - takes less than 3 minutes
- ▶ Backlit LCD, and LED indicators for Fault, and Cal status
- ▶ Universal plug-in transmitter
- ▶ Intrinsically Safe Sensor Housing
- ▶ Plug-in field-replaceable transmitter
- ▶ Electrochemical plug-in sensor

## ORDER GUIDE

PN 966-12EL80-100	DM-600IS-C2H3CL in Aluminum Junction Box
PN 966-12EL8B-100	DM-600IS-C2H3CL in Stainless Steel Junction Box

[www.detcon.com](http://www.detcon.com)