



MODEL DM-600-CH3SH

METHYL MERCAPTAN SENSOR ASSEMBLY

ISO 9001:2008
Certified

888-367-4286
713-559-9200
fax 281-292-2860
www.detcon.com
sales@detcon.com

SPECIFICATIONS

Sensor Type

Electrochemical Fuel Cell

Measurement Range

0-100 ppm Methyl Mercaptan
Other ranges available

Repeatability

±2% FS

Response/Clearing Time

T90 <45 seconds

Span Drift

<2% signal loss per month

Operating Temperature Range

-40°C to +50°C; -40°F to +122°F

Operating Humidity Range

15-90% RH non-condensing

Output

Linear 4-20 mA DC
RS-485 Modbus™
3 Relays (alarm 1, 2, fault, contacts 5 amp)

Input Voltage

22.5-28 VDC

Power Consumption

2.9 watts @ 24 VDC

Electrical Classification

Explosion proof
Class 1, Div. 1, Groups B, C, D

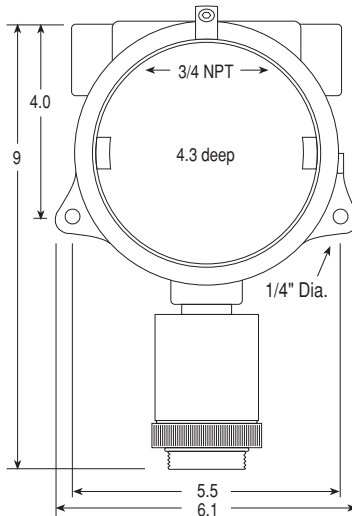
Sensor Life/Warranty

Sensor: 2 year warranty
Transmitter: 2 year warranty

Safety Approvals

CSA and UL Approved

DIMENSIONS



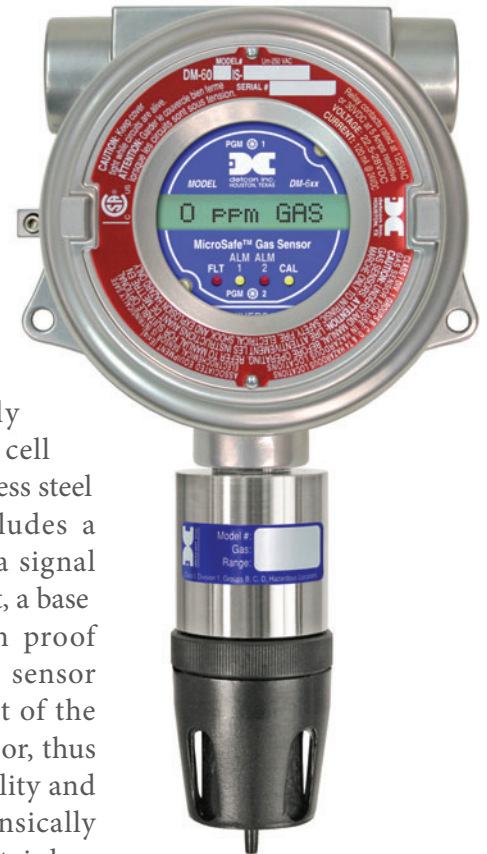
Splashguard 2"H x 2"Dia.

Electrochemical Fuel Cell

MicroSafe™ Intelligent Sensor

DESCRIPTION

Detcon Model DM-500IS-CH3SH sensor is designed to detect and monitor CH3SH in air over the range 0-100 ppm. The sensor assembly consists of an electrochemical fuel cell mounted in an Intrinsically Safe stainless steel and ABS plastic housing that includes a splashguard with integral cal port, a signal conditioning control transmitter circuit, a base connector board and an explosion proof junction box. The Intrinsically Safe sensor housing design allows direct contact of the target gas to the electrochemical sensor, thus maximizing response time, detectability and repeatability. And because the Intrinsically Safe housing design does not use a stainless steel flame arrestor, it eliminates inaccurate readings due to target gas absorption.



FEATURES

- ▶ CSA and UL Approved: Class 1, Div. 1, Groups B, C, & D
- ▶ Outputs: 4-20 mA, RS-485 Modbus™, 3 relays (2 alarm, 1 fault)
- ▶ Sensor status and parameters accessible via RS-485 Modbus™
- ▶ Simple menu driven calibration - takes less than 3 minutes
- ▶ Backlit LCD, and LED indicators for Fault, and Cal status
- ▶ Universal plug-in transmitter
- ▶ Intrinsically Safe Sensor Housing
- ▶ Plug-in field-replaceable transmitter
- ▶ Electrochemical plug-in sensor

ORDER GUIDE

PN 966-12EK80-100	DM-600IS-CH3SH in Aluminum Junction Box
PN 966-12EK8B-100	DM-600IS-CH3SH in Stainless Steel Junction Box

www.detcon.com