



# Detcon Series 600IS

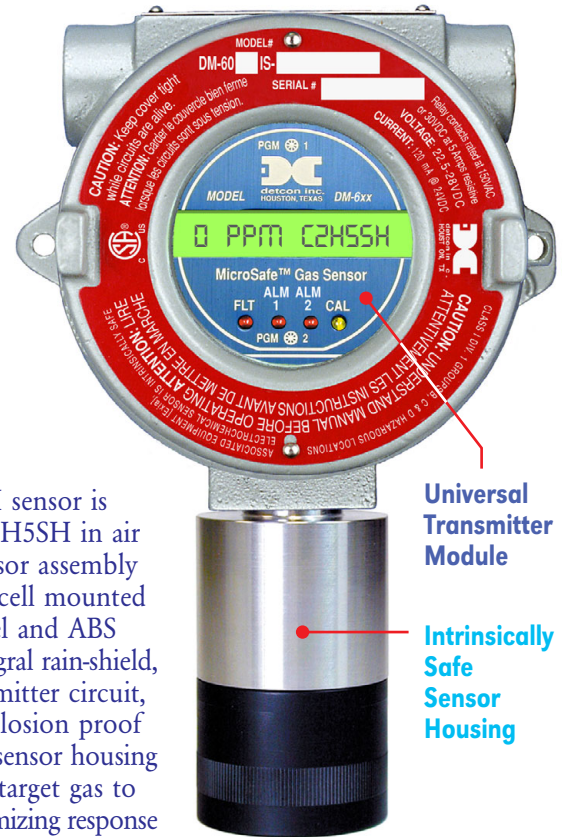
ISO 9001: 2000  
Certified

888-367-4286  
281-367-4100  
fax 281-292-2860

www.detcon.com  
sales@detcon.com

## Model DM-600IS-C2H5SH Ethyl Mercaptan Sensor

Electrochemical Fuel Cell  
(order by part number 966-24EZ80-100)



Universal  
Transmitter  
Module

Intrinsically  
Safe  
Sensor  
Housing

## Specifications

### Sensor Type

Electrochemical Fuel Cell

### Measurement Range

0-100 ppm Ethyl Mercaptan  
Other ranges available

### Repeatability

±2% FS

### Response/Clearing Time

T90 <45 seconds

### Span Drift

<2% signal loss per month

### Operating Temperature Range

-40°C to +50°C; -40°F to +122°F

### Operating Humidity Range

15-90% RH non-condensing

### Output

Linear 4-20 mA DC  
RS-485 Modbus™  
3 Relays (alarm 1, 2, fault, contacts 5 amp)

### Input Voltage

22.5-28 VDC

### Power Consumption

2.9 watts @ 24 VDC

### Electrical Classification

Explosion proof, Class 1, Div. 1, Groups B, C, D

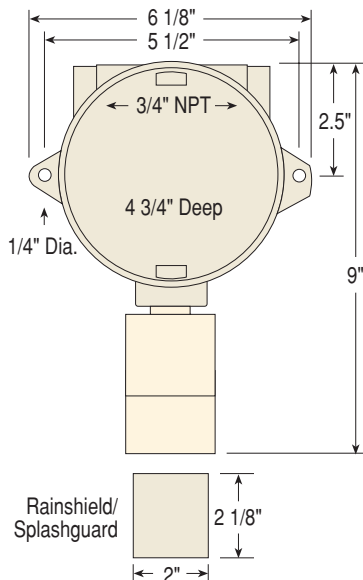
### Sensor Life/Warranty

Sensor: 2 year warranty  
Transmitter: 2 year warranty

### Safety Approvals

CSA and UL Approved

## Dimensions



## MicroSafe™ Intelligent Sensor

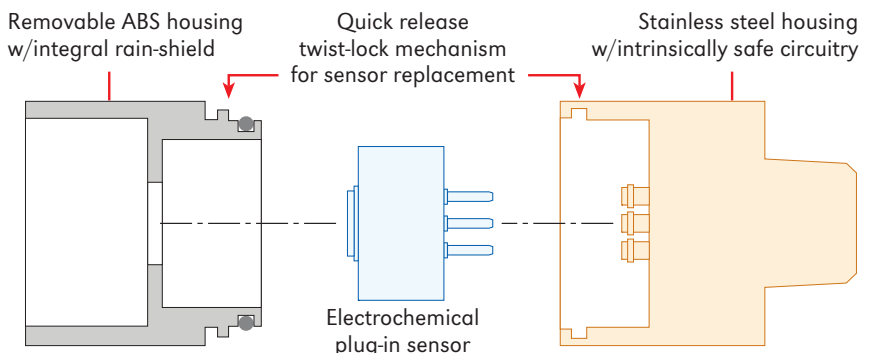
“RS-485 Addressable”

## Description

Detcon Model DM-600IS-C2H5SH sensor is designed to detect and monitor C2H5SH in air over the range 0-100 ppm. The sensor assembly consists of an electrochemical fuel cell mounted in an Intrinsically Safe stainless steel and ABS plastic housing that includes an integral rain-shield, a signal conditioning control transmitter circuit, a base connector board and an explosion proof junction box. The Intrinsically Safe sensor housing design allows direct contact of the target gas to the electrochemical sensor, thus maximizing response time, detectability and repeatability. And because the Intrinsically Safe housing design does not use a stainless steel flame arrestor, it eliminates inaccurate readings due to target gas absorption.

## Features

- CSA and UL Approved: Class 1, Div. 1, Groups B, C, & D
- Outputs: 4-20 mA, RS-485 Modbus™, 3 relays (2 alarm, 1 fault)
- Sensor status and parameters accessible via RS-485 Modbus™
- Simple menu driven calibration - takes less than 3 minutes
- Backlit LCD, and LED indicators for Alarms, Fault, and Cal status
- Universal plug-in transmitter
- Field replaceable electrochemical plug-in sensor with twist-lock sensor housing



www.detcon.com