



Detcon Series 600IS

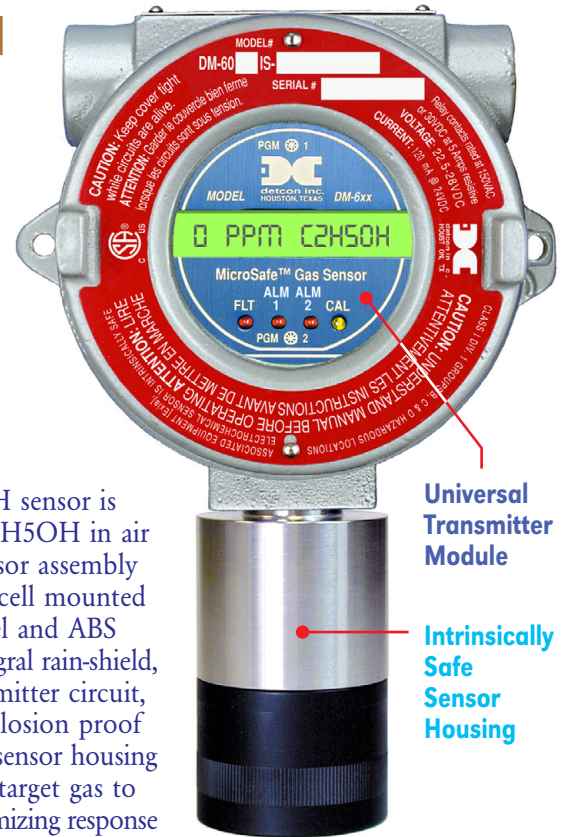
ISO 9001: 2000
Certified

888-367-4286
281-367-4100
fax 281-292-2860

www.detcon.com
sales@detcon.com

Model DM-600IS-C2H5OH Ethanol Sensor

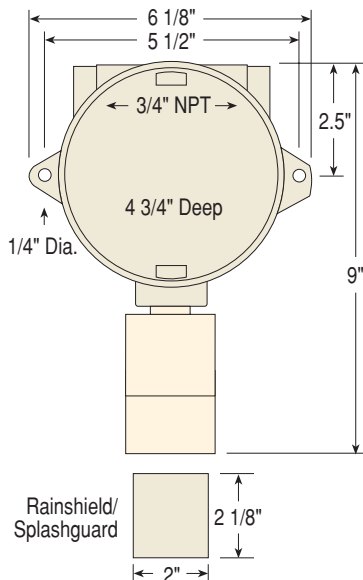
Electrochemical Fuel Cell
(order by part number 966-12E080-100)



Specifications

- Sensor Type**
Electrochemical Fuel Cell
- Measurement Range**
0-100 ppm Ethanol
Other ranges available
- Repeatability**
±2% FS
- Response/Clearing Time**
T90 <140 seconds
- Span Drift**
<5% signal loss per year
- Operating Temperature Range**
-20°C to +50°C; -4°F to +122°F
- Operating Humidity Range**
15-90% RH non-condensing
- Output**
Linear 4-20 mA DC
RS-485 Modbus™
3 Relays (alarm 1, 2, fault, contacts 5 amp)
- Input Voltage**
22.5-28 VDC
- Power Consumption**
2.9 watts @ 24 VDC
- Electrical Classification**
Explosion proof, Class 1, Div. 1, Groups B, C, D
- Sensor Life/Warranty**
Sensor: 2 year warranty
Transmitter: 2 year warranty
- Safety Approvals**
CSA and UL Approved

Dimensions



MicroSafe™ Intelligent Sensor

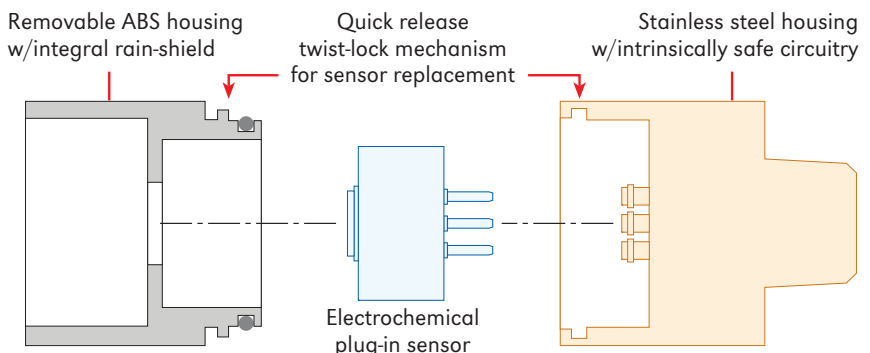
“RS-485 Addressable”

Description

Detcon Model DM-600IS-C2H5OH sensor is designed to detect and monitor C2H5OH in air over the range 0-100 ppm. The sensor assembly consists of an electrochemical fuel cell mounted in an Intrinsically Safe stainless steel and ABS plastic housing that includes an integral rain-shield, a signal conditioning control transmitter circuit, a base connector board and an explosion proof junction box. The Intrinsically Safe sensor housing design allows direct contact of the target gas to the electrochemical sensor, thus maximizing response time, detectability and repeatability. And because the Intrinsically Safe housing design does not use a stainless steel flame arrestor, it eliminates inaccurate readings due to target gas absorption.

Features

- CSA and UL Approved: Class 1, Div. 1, Groups B, C, & D
- Outputs: 4-20 mA, RS-485 Modbus™, 3 relays (2 alarm, 1 fault)
- Sensor status and parameters accessible via RS-485 Modbus™
- Simple menu driven calibration - takes less than 3 minutes
- Backlit LCD, and LED indicators for Alarms, Fault, and Cal status
- Universal plug-in transmitter
- Field replaceable electrochemical plug-in sensor with twist-lock sensor housing



www.detcon.com