



Detcon Series 601IS

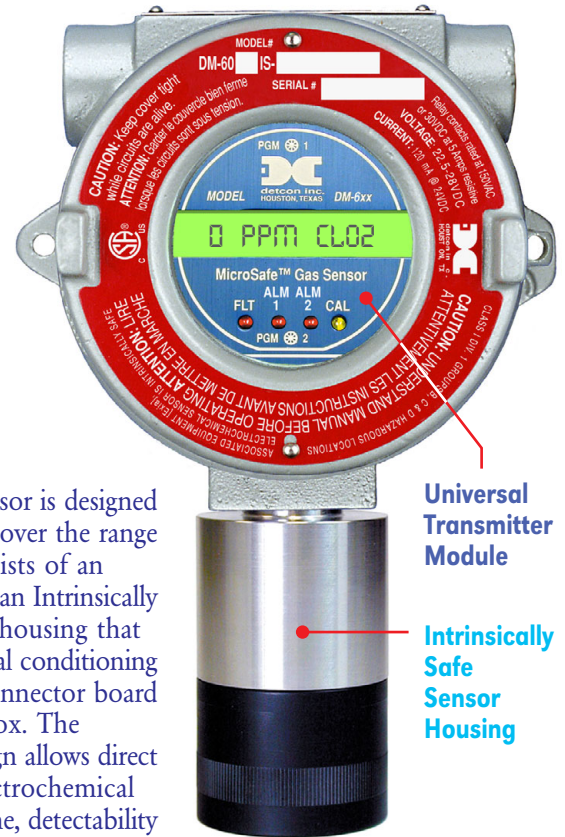
ISO 9001: 2000
Certified

888-367-4286
281-367-4100
fax 281-292-2860

www.detcon.com
sales@detcon.com

Model DM-601IS-CLO2 Chlorine Dioxide Sensor (≤10 ppm)

Electrochemical Fuel Cell
(order by part number 966-777780-001)



Universal
Transmitter
Module

Intrinsically
Safe
Sensor
Housing

Specifications

Sensor Type

Electrochemical Fuel Cell

Measurement Range

0-1 ppm Chlorine Dioxide
Other ranges available

Repeatability

±2% FS

Response/Clearing Time

T90 <120 seconds

Span Drift

<1% signal loss per month

Operating Temperature Range

-20°C to +40°C; -4°F to +104°F

Operating Humidity Range

10-95% RH non-condensing

Output

Linear 4-20 mA DC
RS-485 Modbus™
3 Relays (alarm 1, 2, fault, contacts 5 amp)

Input Voltage

22.5-28 VDC

Power Consumption

2.9 watts @ 24 VDC

Electrical Classification

Explosion proof, Class 1, Div. 1, Groups B, C, D

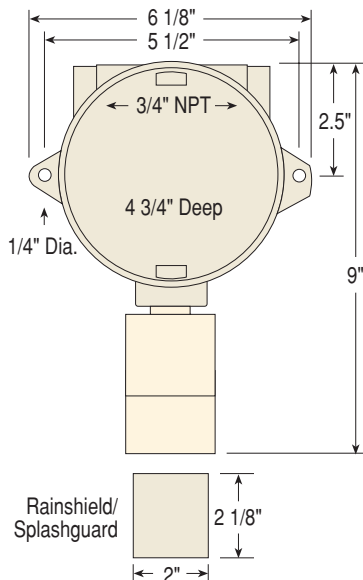
Sensor Life/Warranty

Sensor: 2 year warranty
Transmitter: 2 year warranty

Safety Approvals

CSA and UL Approved

Dimensions



MicroSafe™ Intelligent Sensor

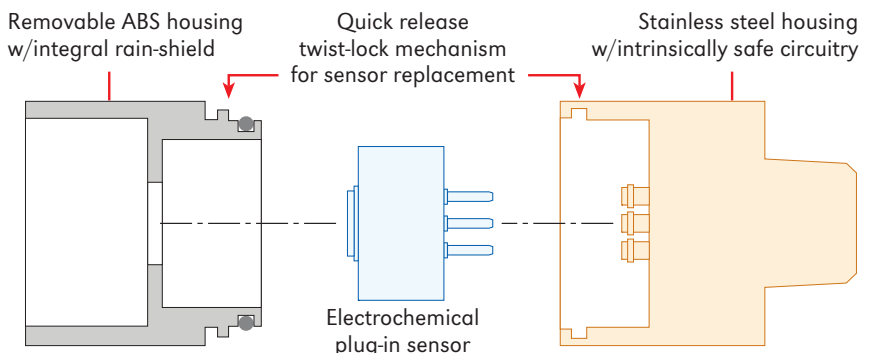
“RS-485 Addressable”

Description

Detcon Model DM-601IS-CLO2 sensor is designed to detect and monitor CLO2 in air over the range 0-1 ppm. The sensor assembly consists of an electrochemical fuel cell mounted in an Intrinsically Safe stainless steel and ABS plastic housing that includes an integral rain-shield, a signal conditioning control transmitter circuit, a base connector board and an explosion proof junction box. The Intrinsically Safe sensor housing design allows direct contact of the target gas to the electrochemical sensor, thus maximizing response time, detectability and repeatability. And because the Intrinsically Safe housing design does not use a stainless steel flame arrestor, it eliminates inaccurate readings due to target gas absorption.

Features

- CSA and UL Approved: Class 1, Div. 1, Groups B, C, & D
- Outputs: 4-20 mA, RS-485 Modbus™, 3 relays (2 alarm, 1 fault)
- Sensor status and parameters accessible via RS-485 Modbus™
- Simple menu driven calibration - takes less than 3 minutes
- Backlit LCD, and LED indicators for Alarms, Fault, and Cal status
- Universal plug-in transmitter
- Field replaceable electrochemical plug-in sensor with twist-lock sensor housing



www.detcon.com