



MODEL DM-534

OXYGEN SENSOR ASSEMBLY

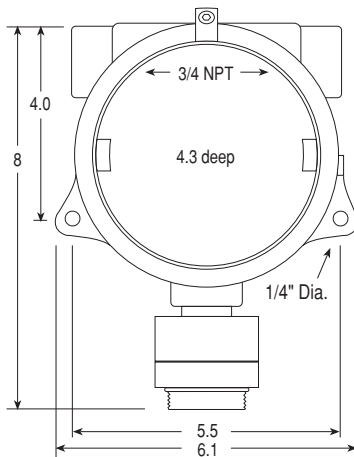
ISO 9001:2008
Certified

888-367-4286
713-559-9200
fax 281-292-2860
www.detcon.com
sales@detcon.com

SPECIFICATIONS

- Sensor Type**
Galvanic Metal Air Battery
- Measurement Range**
0-25% Oxygen
- Accuracy/Repeatability**
±1% FS
- Response/Clearing Time**
T90 <20 seconds
- Span Drift**
<5% signal loss per year
in first two years
- Linearity**
± 0.5% FS
- Operating Temperature Range**
-20°C to +50°C; -4°F to +122°F
- Operating Humidity Range**
0-99% RH non-condensing
- Output**
Linear 4-20 mA DC
- Input Voltage**
11.5-28 VDC
- Power Consumption**
<0.75 watts @ 24 VDC
- Electrical Classification**
Explosion proof
Class 1, Div. 1, Groups B, C, D
- Safety Approvals**
CSA and UL Approved
- Sensor Life/Warranty**
Sensor: 2 year expected life
Sensor: 2 year warranty
Transmitter: 2 year warranty

DIMENSIONS



Splashguard 2"H x 2"Dia.

Electrochemical Fuel Cell

MicroSafe™ Intelligent Sensor

DESCRIPTION

Detcon Model DM-534 sensor is designed to detect and monitor O₂ in air over the range 0-25% by volume. The sensor assembly consists of an electrochemical fuel cell mounted in a stainless steel housing that includes a splashguard with integral cal port, a signal conditioning control transmitter circuit, a base connector board and an explosion proof junction box. Operator interface is via a small handheld magnet. One of the main features is the embedded intuitive software that guides the user through routine calibration and configuration menus using a built-in LED alpha/numeric display.



FEATURES

- ▷ CSA-NRTL Approved: Class I, Division 1, Groups B, C, & D
- ▷ 4-20 mA output
- ▷ Simple menu driven calibration - takes less than 3 minutes
- ▷ Backlit LCD, and LED indicators for Fault, and Cal status
- ▷ Plug-in field-replaceable transmitter
- ▷ Electrochemical plug-in sensor
- ▷ Embedded temperature compensation provides direct correction to changes in ambient temperature
- ▷ 2-year expected sensor life in air with 20.9% Oxygen

ORDER GUIDE

- PN 965-345420-025 DM-534 in Aluminum Junction Box
- PN 965-34542B-025 DM-534 in Stainless Steel Junction Box

www.detcon.com