



Detcon Series 500IS

ISO 9001: 2000
Certified

888-367-4286
281-367-4100
fax 281-292-2860

www.detcon.com
sales@detcon.com

Model DM-500IS-NO Nitric Oxide Sensor

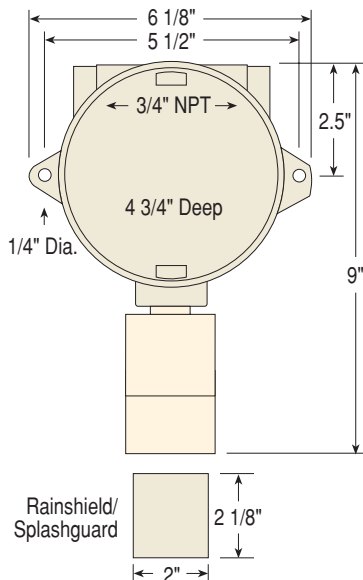
Electrochemical Fuel Cell
(order by part number 965-949480-100)



Specifications

- Sensor Type**
Electrochemical Fuel Cell
- Measurement Range**
0-100 ppm Nitric Oxide
Other ranges available
- Repeatability**
±2% FS
- Response/Clearing Time**
T90 10 seconds
- Span Drift**
<2% signal loss per month
- Operating Temperature Range**
-20°C to +50°C; -4°F to +122°F
- Operating Humidity Range**
15-90% RH non-condensing
- Output**
Linear 4-20 mA DC
- Input Voltage**
11.5-28 VDC
- Power Consumption**
1.6 watts @ 24 VDC
- Electrical Classification**
Explosion proof, Class 1, Div. 1, Groups B, C, D
- Sensor Life/Warranty**
Sensor: 3 year warranty
Transmitter: 2 year warranty
- Safety Approvals**
CSA and UL Approved

Dimensions



MicroSafe™ Intelligent Sensor

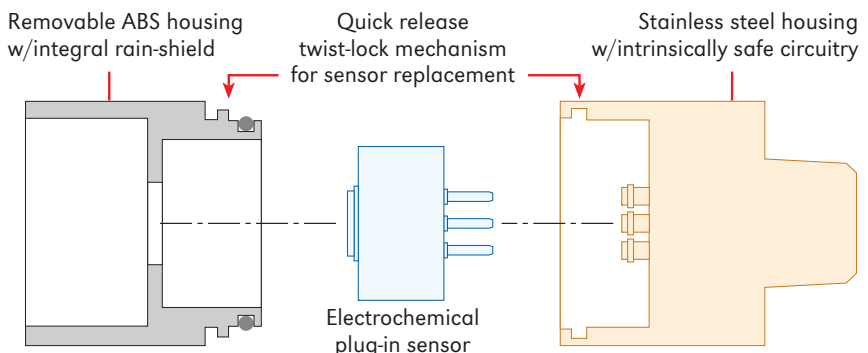
Description

Detcon Model DM-500IS-NO sensor is designed to detect and monitor NO in air over the range 0-100 ppm. The sensor assembly consists of an electrochemical fuel cell mounted in an Intrinsically Safe stainless steel and ABS plastic housing that includes an integral rain-shield, a signal conditioning control transmitter circuit, a base connector board and an explosion proof junction box. The Intrinsically Safe sensor housing design allows direct contact of the target gas to the electrochemical sensor, thus maximizing response time, detectability and repeatability. And because the Intrinsically Safe housing design does not use a stainless steel flame arrestor, it eliminates inaccurate readings due to target gas absorption.

Universal Transmitter Module
Intrinsically Safe Sensor Housing

Features

- CSA and UL Approved: Class 1, Div. 1, Groups B, C, & D
- 4-20 mA output
- Simple menu driven calibration - takes less than 3 minutes
- Backlit LCD, and LED indicators for Fault, and Cal status
- Universal plug-in transmitter
- Field replaceable electrochemical plug-in sensor with twist-lock sensor housing



www.detcon.com