



# Detcon Series 500IS

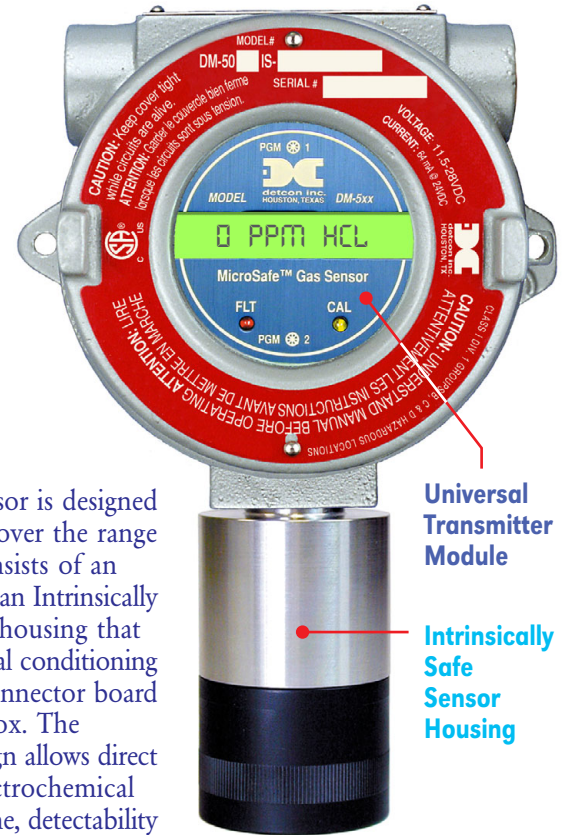
ISO 9001: 2000  
Certified

888-367-4286  
281-367-4100  
fax 281-292-2860

www.detcon.com  
sales@detcon.com

## Model DM-500IS-HCL Hydrogen Chloride Sensor

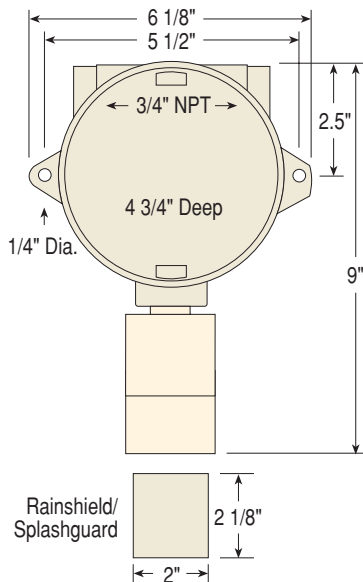
Electrochemical Fuel Cell  
(order by part number 965-090980-030)



## Specifications

- Sensor Type**  
Electrochemical Fuel Cell
- Measurement Range**  
0-30 ppm Hydrogen Chloride  
Other ranges available
- Repeatability**  
±2% FS
- Response/Clearing Time**  
T90 <70 seconds
- Span Drift**  
<2% signal loss per month
- Operating Temperature Range**  
-20°C to +40°C; -4°F to +104°F
- Operating Humidity Range**  
10-95% RH non-condensing
- Output**  
Linear 4-20 mA DC
- Input Voltage**  
11.5-28 VDC
- Power Consumption**  
1.6 watts @ 24 VDC
- Electrical Classification**  
Explosion proof, Class 1, Div. 1, Groups B, C, D
- Sensor Life/Warranty**  
Sensor: 1 1/2 year warranty  
Transmitter: 2 year warranty
- Safety Approvals**  
CSA and UL Approved

## Dimensions



## MicroSafe™ Intelligent Sensor

## Description

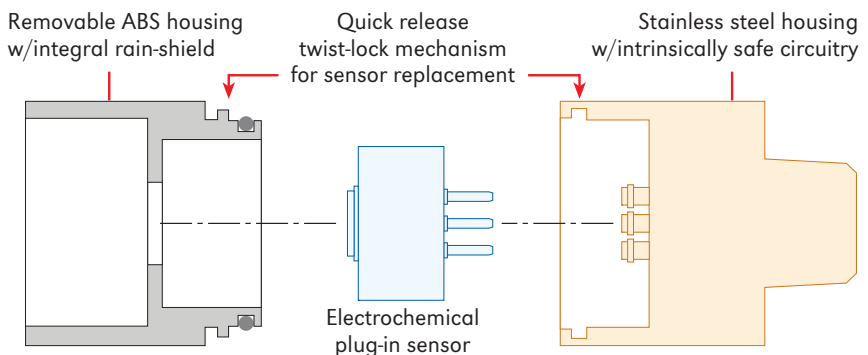
Detcon Model DM-500IS-HCL sensor is designed to detect and monitor HCL in air over the range 0-30 ppm. The sensor assembly consists of an electrochemical fuel cell mounted in an Intrinsically Safe stainless steel and ABS plastic housing that includes an integral rain-shield, a signal conditioning control transmitter circuit, a base connector board and an explosion proof junction box. The Intrinsically Safe sensor housing design allows direct contact of the target gas to the electrochemical sensor, thus maximizing response time, detectability and repeatability. And because the Intrinsically Safe housing design does not use a stainless steel flame arrestor, it eliminates inaccurate readings due to target gas absorption.

Universal Transmitter Module

Intrinsically Safe Sensor Housing

## Features

- CSA and UL Approved: Class 1, Div. 1, Groups B, C, & D
- 4-20 mA output
- Simple menu driven calibration - takes less than 3 minutes
- Backlit LCD, and LED indicators for Fault, and Cal status
- Universal plug-in transmitter
- Field replaceable electrochemical plug-in sensor with twist-lock sensor housing



www.detcon.com