



MODEL DM-500-AsH3

ARSINE SENSOR ASSEMBLY

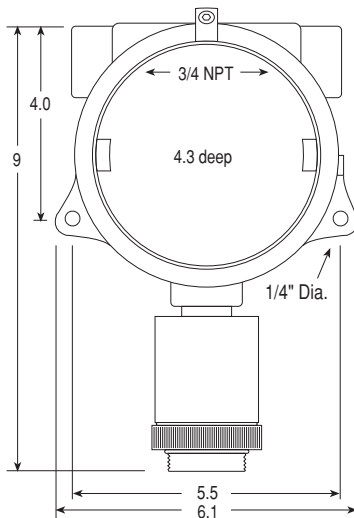
ISO 9001:2008
Certified

888-367-4286
713-559-9200
fax 281-292-2860
www.detcon.com
sales@detcon.com

SPECIFICATIONS

- Sensor Type**
Electrochemical Fuel Cell
- Measurement Range**
0-1 ppm Arsine
Other ranges available
- Repeatability**
±2% FS
- Response/Clearing Time**
T90 <60 seconds
- Span Drift**
<5% signal loss per month
- Operating Temperature Range**
-20°C to +40°C; -4°F to +104°F
- Operating Humidity Range**
20-95% RH non-condensing
- Output**
Linear 4-20 mA DC
- Input Voltage**
11.5-28 VDC
- Power Consumption**
1.6 watts @ 24 VDC
- Electrical Classification**
Explosion proof
Class 1, Div. 1, Groups B, C, D
- Sensor Life/Warranty**
Sensor: 1 1/2 year warranty
Transmitter: 2 year warranty
- Safety Approvals**
CSA and UL Approved

DIMENSIONS



Splashguard 2"H x 2"Dia.

Electrochemical Fuel Cell

MicroSafe™ Intelligent Sensor

DESCRIPTION

Detcon Model DM-500IS-AsH3 sensor is designed to detect and monitor AsH3 in air over the range 0-1 ppm. The sensor assembly consists of an electrochemical fuel cell mounted in an Intrinsically Safe stainless steel and ABS plastic housing that includes a splashguard with integral cal port, a signal conditioning control transmitter circuit, a base connector board and an explosion proof junction box. The Intrinsically Safe sensor housing design allows direct contact of the target gas to the electrochemical sensor, thus maximizing response time, detectability and repeatability. And because the Intrinsically Safe housing design does not use a stainless steel flame arrester, it eliminates inaccurate readings due to target gas absorption.



FEATURES

- ▶ CSA and UL Approved: Class 1, Div. 1, Groups B, C, & D
- ▶ 4-20 mA output
- ▶ Simple menu driven calibration - takes less than 3 minutes
- ▶ Backlit LCD, and LED indicators for Fault, and Cal status
- ▶ Universal plug-in transmitter
- ▶ Intrinsically Safe Sensor Housing
- ▶ Plug-in field-replaceable transmitter
- ▶ Electrochemical plug-in sensor

ORDER GUIDE

- PN 965-191980-001 DM-500IS-AsH3 in Aluminum Junction Box
- PN 965-19198B-001 DM-500IS-AsH3 in Stainless Steel Junction Box

www.detcon.com